

Emergency Aid Camp Infrastructure



Fulmar 844WES

8" x 8" General Purpose Self Priming Centrifugal Pump with Perkins 1104D Diesel Engine

Applications include:

Heavy Duty Dewatering (fresh & seawater) - Chemical Handling - Potable Water Supply

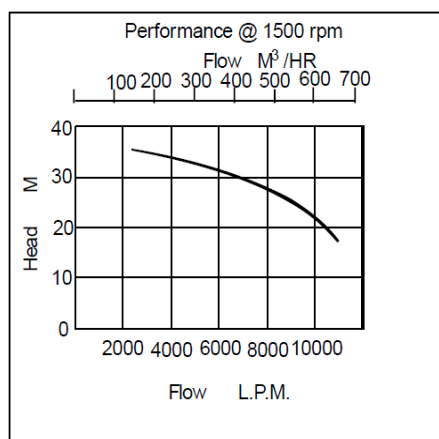
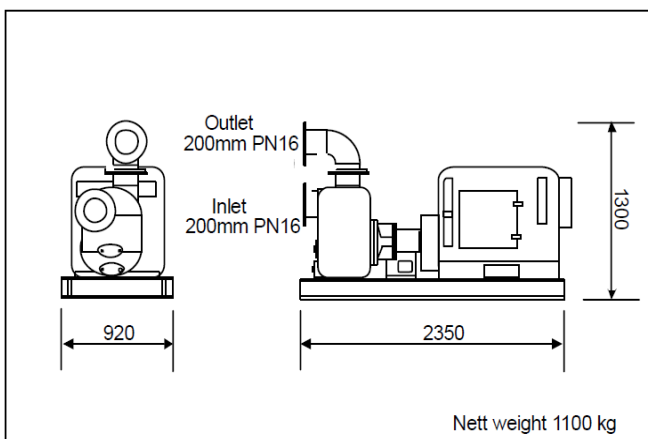


- Robust cast iron construction
- Pump and Engine are flexibly coupled for easy maintenance
- Fabricated steel baseplate with fixing holes
- Solids handling to 72 mm Ø
- Integral non return valve
- Renewable wear plates
- Self Priming to 7 m
- Long life Tungsten Carbide/Tungsten Carbide mechanical seal
- 200 mm PN16 flange connections
- Single point lift frame

Powered by a Perkins high quality industrial water cooled four cylinder diesel engine model 1104D – E44TA developing 64.9 kW at a nominal 1500 rpm complete with 12 volt electric key start/stop, battery, tropical radiator and fan, 8 hour fuel tank, throttle control, engine protection for LOP/HW, dry type replaceable element air, oil and fuel filters. Engine is enclosed in an acoustic weather proof canopy designed to reduce noise levels down to 70 dBA at 7 metres. Set is supplied with Pump and Engine Operating and Instruction Manuals

Standard Options:

- | | | | |
|----|--|----|-----------------|
| A. | Individual plywood case packing. | E. | Quick couplings |
| B. | Pump spares for 1000 hours normal operation. | F. | Road trailer |
| C. | Engine spares for 1000 hours normal operation. | G. | Welding collars |
| D. | Hose kit | | |



Butyl Products Ltd.

Lingfield House, 11 Radford Crescent, Billericay, Essex,
CM12 0DW, United Kingdom. T: +44 (0) 1277 653 281

F: +44 (0) 1277 657 921 E: enquiries@butylproducts.co.uk

W: butylproducts.co.uk